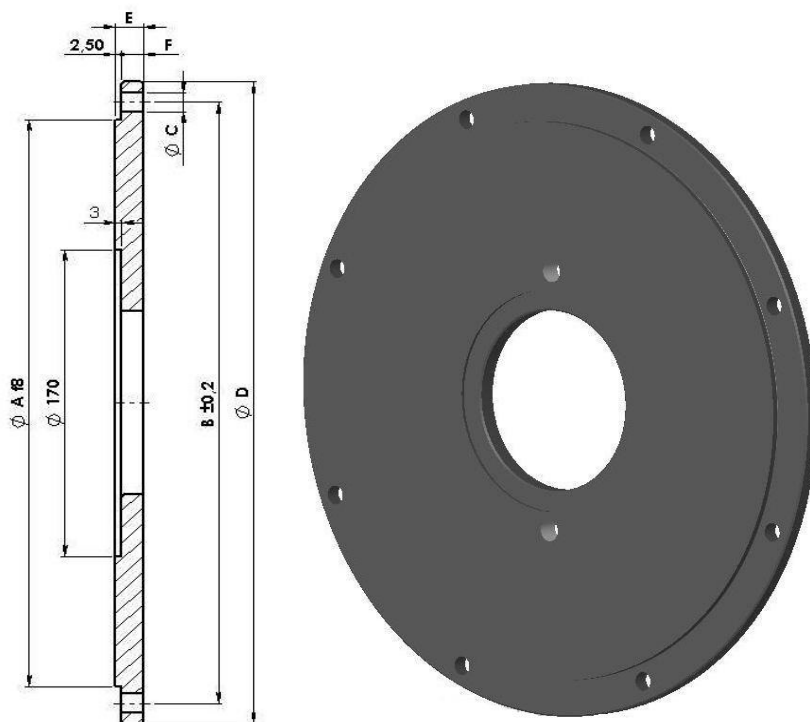


CAMPANA PIATTA ACCIAIO



CAMPANE PIATTE COPRIVOLANO SAE J617

	A mm	B mm	C mm	C nr.fori	D mm	E mm	E RINF. mm	F mm	F RINF. mm
SAE 2	447.68	466.72	Ø10.5	12	489	18	24	15.5	21.5
SAE 3	409.58	428.62	Ø10.5	12	450.8	18	24	15.5	21.5
SAE 4	361.95	381	Ø10.5	12	403.4	14	19	11.5	16.5
SAE 5	314.32	333.38	Ø10.5	8	355.6	14	19	11.5	16.5
SAE 6	266.7	285.75	Ø10.5	8	307.8	14	19	11.5	16.5