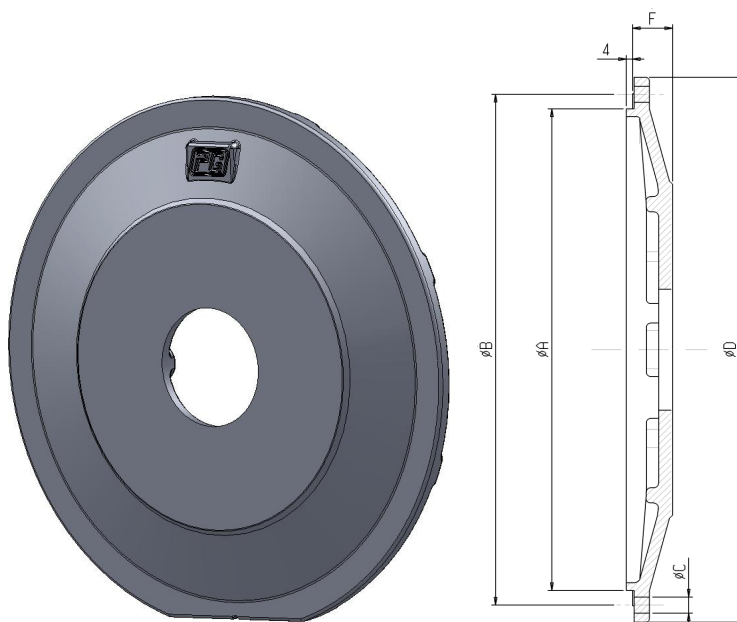


## **CAMPANA BOMBATA GHISA**



Foratura per:  
SAE-A, SAE-B,  
SAE-C, GR2, GR3,  
A richiesta versioni speciali

### **CAMPANA BOMBATA COPRIVOLANO SAE J617**

	<b>A</b> mm	<b>B</b> mm	<b>C</b> mm	<b>C</b> nr.fori	<b>D</b> mm	<b>F</b> mm	<b>F (alta)</b> mm
<b>SAE 2</b>	447.68	466.72	Ø10.5	12	489	50	--
<b>SAE 3</b>	409.58	428.62	Ø10.5	12	450.8	33	50
<b>SAE 4</b>	361.95	381	Ø10.5	12	403.4	30	50
<b>SAE 5</b>	314.32	333.38	Ø10.5	8	355.6	25	--